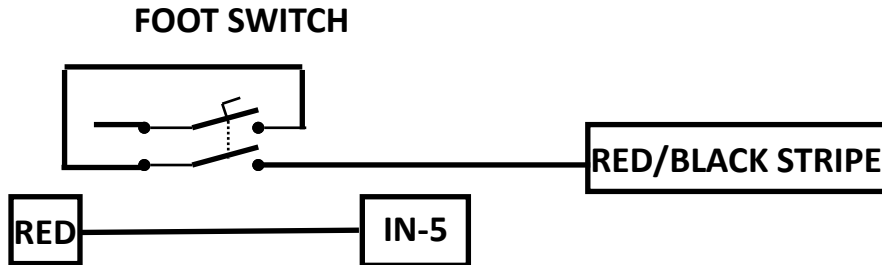
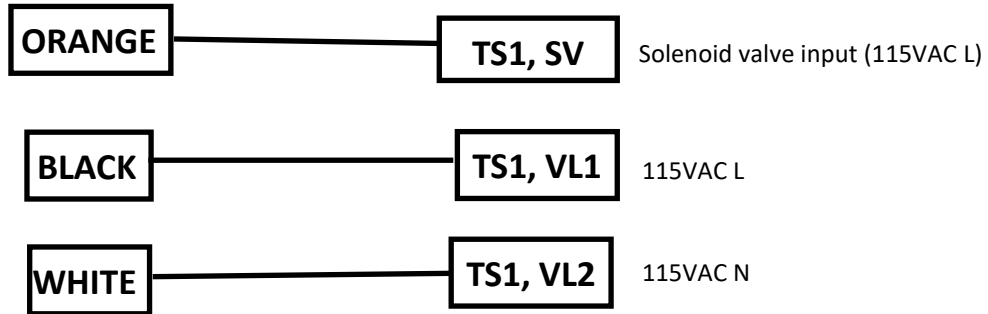


WT900 SOFT TOUCH HOOKUP

CONTROL WITH 115VAC SOLENOID VALVES

THE EXISTING WELDING SOLENOID VALVE WILL NOT BE USED.



NOTE: DISCONNECT THE EXISTING OUTPUT WIRE FROM THE FOOT SWITCH SECOND STAGE THAT NOW GOES TO TERMINAL IN-5 AND CONNECT IT TO THE RED/BLACK STRIPE WIRE IN THE UNITROL CABLE.

